

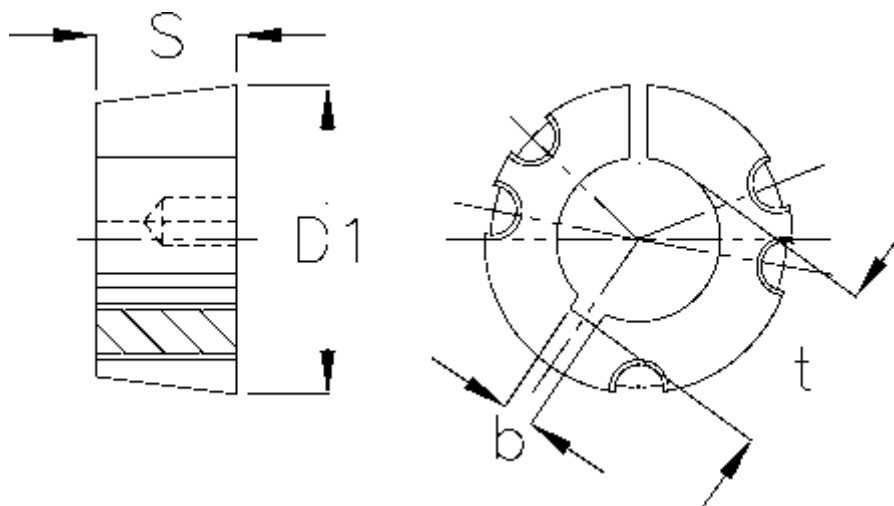
Data Sheet



Article number: 6160405050080

Description: Taper bush 5050 bore $\varnothing 80$ mm

Measures



b	= 22
Bore	= 80
Bush type	= 5050
D1	= 177,6
S	= 127
Screw size	= 7/8 x 2 1/4"
t	= 85.4
Transmission moment	= 12400